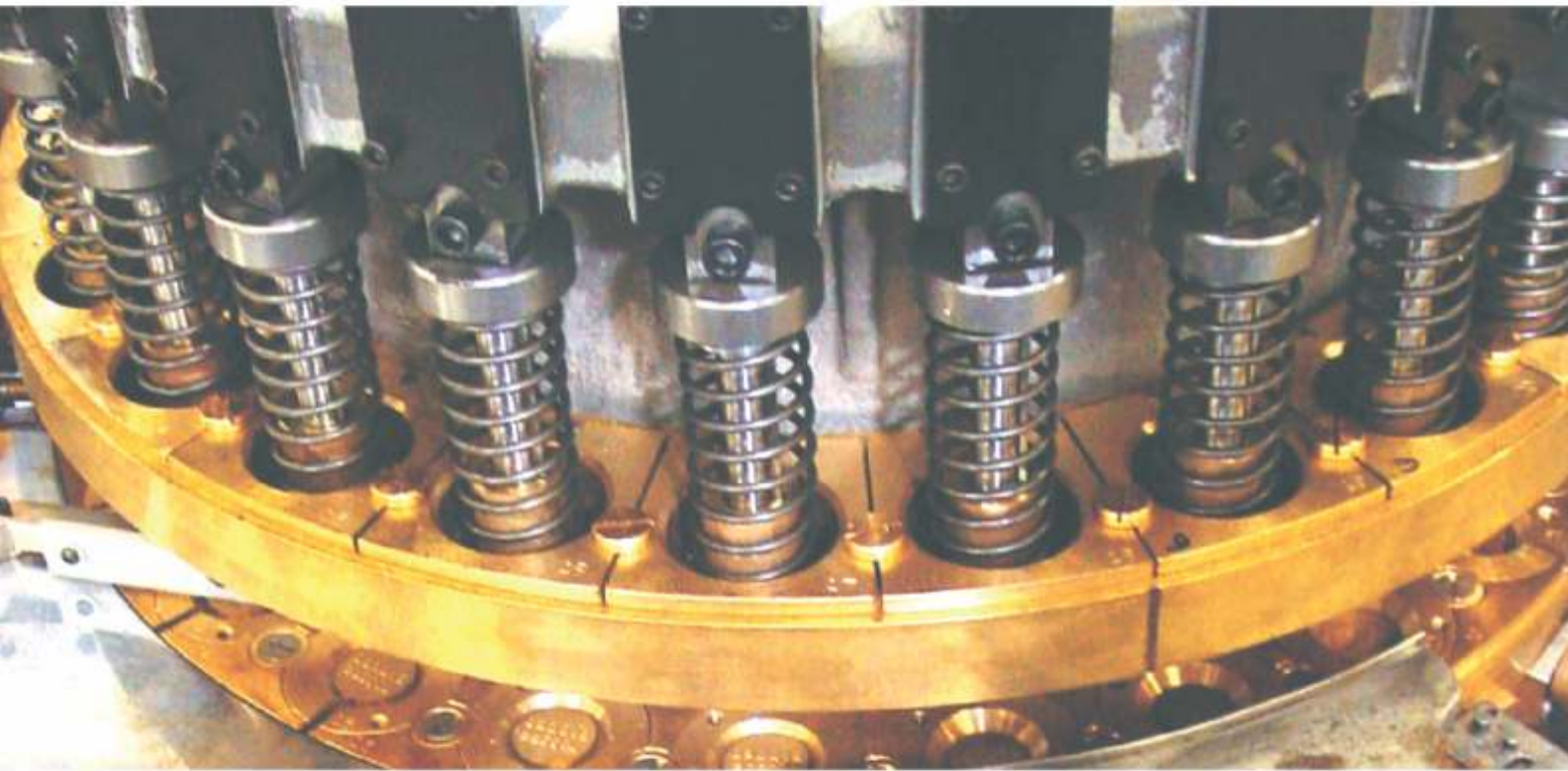


Latini®

Excellence Thru Innovation



WORLD RENOWNED

DPW-SD

Continuous Die Pop Forming
and Packing Machine



FEEDING OPTIONS

Latini electro-mechanical batch roller offers reliability and precise control over the forming of your candy rope. The latest-technology gear drive systems provide a smooth and quiet operation, while the heavy-duty construction make this a very sturdy, durable machine.

Built upon a sanitary tubular steel lower frame with the electrically heated tub and cover are constructed of reinforced stainless steel. The stainless steel cones also have heavy-duty internal reinforcement as well as special permanently lubricated bearings. Includes a watertight electrical control panel and adjustable legs that allow for easy alignment to any Lollipop forming or other forming line. Left or right hand assembly is available.



CLUSTER

The Latini's cluster system is designed to assist in directing the candy mass positively toward the sizers. It is especially effective with difficult to-feed soft, chewy toffee and candies. This four-wheel cluster is constructed of stainless steel and brass, and is mounted directly onto our batch roller/Sizer. By providing a consistent forward movement of the candy rope, the cluster will minimize any necessary operator assistance, freeing your staff to operate more than one machine. Available with adjustable heat.



ROPE SIZERS

Latini's two/three/four/five stage sizer is a stand-alone /combined unit which features a heavy-duty gear drive and stainless steel sizing wheels which are individually adjustable and electrically heated. All Latini's sizing systems have individual and infinitely variable speed AC motors and controls, all encased in a watertight enclosure.

DPW-SD



CONTINUOUS 3 – D DIE POP FORMING AND PACKING MACHINE

Latini's exceptionally well designed DPW-SD machine has proven over time to be the most efficient flat lollipop machine on the market. Our basic design has been the industry standard for decades and we have an extensive collection of available die designs, as well as an engineering staff ready to bring your design ideas into production.

Recently upgraded features such as dual digital electronic heat control, allowing for a variety of wrapping materials, and a rotary candy knife make the DPW-SD an extremely reliable machine. The heavy-duty construction and great versatility in production make this a great choice for the growing candy maker. Ideal for larger diameter and heavy weight lollipops, we are able to produce most proposed designs, including vertically-banded, sandwich-wrapped ball lollipops. Also available without the automatic wrapping attachment.

COMPLETELY AUTOMATIC

Completely automatic when used with a batch roller and rope sizer. A single operator can attend two machines with a minimum of efforts.

ADJUSTABLE WEIGHT CONTROL

The forming machine is equipped with Servo drive for rope feed and the length of cut can be adjusted while the machine is in motion from the control panel, resulting in changing weight of the lollipops without changing the forming dies. Each set of forming dies has a weight-adjustment factor of approximately 15 percent from either the upper or lower limit.



FULLY AIR CONDITIONED COOLING CONVEYOR

Latini's 3MTR refrigerated cooling conveyor blows a large volume of refrigerated air onto any type of confectionery or food product that requires cooling before packaging. The large capacity cooling system and efficient insulated enclosure of the 3MTR make it effective in hot and humid climates where the ambient temperatures of the factory are above 77F (25C). The conveyor is made with food-grade meshed belting to provide strength, positive tracking, easy to clean and low maintenance costs.

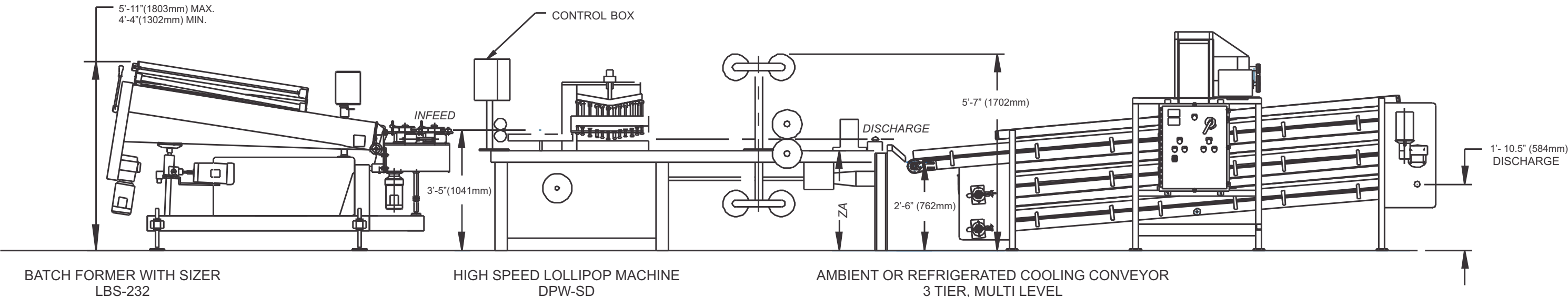
This compact, high capacity cooling conveyor is versatile to match with any high speed candy production line and matches well with LHD's flat lollipop and starlight lines. The electrical control cabinet is equipped with variable speed controls for regulating belt speeds as well as individual controls for incline and collecting conveyors.

Latini offers a full line of transfer and feed conveyors of single or multiple tier design. Made on sturdy steel frames, all belts are controlled by variable speed motors. All of your special conveying needs can be met with our durable, easy to clean and easy to operate units.

- For cooling of all types of hard candies (either solid or soft center filled), lollipops, caramels and nougats; wrapped or unwrapped.
- Cooling time -5 minutes
- Food-grade meshed belting with positive tracking and easy cleaning design. Mechanically operated spreading device for efficient cooling of all products.
- Ideally suited for the small to medium size manufacturer with moderate production requirements
- Inexpensive and maintenance-free design.



STYLE:	THREE (3) TIER HORIZONTAL COOLING CONVEYOR
BELT:	FOOD GRADE RIGID PLASTIC
COOLING CAPACITY:	AS PER REQUEST OR APPLICATION
COOLING TYPE:	REFRIGERATED



OPTIONAL FEATURES

SINGLE POPS OR STRIPS

It is possible to form and wrap lollipops in individual packages or in a continuous strip of any desired length. If a multiple length of lollipops is required, a counting unit can be provided as optional equipment.



Multiple Memory Cut Off

FIBER OPTIC PAPER REGISTRATION SYSTEM

Photo paper registration equipment can be attached for registering package designs or words in the center of a wrapped lollipop. Photo registration equipment is offered as an optional feature.



Fiber Optic Paper Registration System

PRINTING AND ICING DEVICE

The top lollipop surface is printed with an edible ink or sugar icing to highlight a figure, design, or letters with a color different than that of the actual lollipop giving a "two color" effect. The ink or icing is applied in a continuous motion before the wrapper is heat sealed. Various designs are available to suit customer requirements.



Printing and Icing Device

LABELER

A self adhesive label can be applied directly on the lollipop wrapper and positioned in the center when continuous reel type pre-printed labels are used.



Labeler

SPECIFICATIONS

Capacity:	Up to 300 pcs./min
Lollipop weight range:	5 to 35 grams
Sticks:	Paper or Plastic
Wrapping:	4 Side Sandwich Wrap 2", 2½", 3" cut-off

Many sizes and shapes to choose from.
Drawings of lollipops featuring various shapes furnished on request.

Latini Hohberger Dhimantec - is a leading global manufacturer and supplier to the confectionery industry since 1926, with four manufacturing plants and design / engineering / technological skills garnered over several decades the company has emerged as most preferred machines / processes supplier to customers based in over 40 countries.

Our growing product line includes complete batching, cooking, forming, cooling and wrapping system for hard candy, toffee, lollipop, bubble gum, chewing gum, traditional / fully automatic sugar or chocolate coating system. Also the world's premier continuous fondant production systems. A R&D cum confectionery production facility ensures world class product development & business solutions, besides meets the customer needs of Demonstration and Training. We provide integrated systems, customized design, time bound-turnkey installation and start-up assistance. The products are covered under warranty & serviced by a dedicated team of highly qualified / experienced engineers. Assistance is provided for equipment upgrades, capital preservation thru our re-manufacturing setup.

Global scouting for used machines in as good as new condition, its rebuilding gives support for balancing production lines. We strive for business prosperity of our customers by providing state of art products & processes thru innovation, frugal engineering, efficiency, reliability & quality of work, making us their first choice.

Latini is unparalleled in meeting every objective of candy, toffee, lollipop, gums, bakery and cereal manufacturers.



Latini Hohberger Dhimantec Inc.

CHICAGO PLANT :
893, N Industrial Drive, Elmhurst
Illinois-60126, USA

Tel. : +1-630-834-7789
Fax : +1-630-834-4322
E-mail : info@Latiniusa.com

INDIA OFFICE :
53/19, Old Rajinder Nagar,
New Delhi - 110 060 (INDIA)

www.LatiniUSA.com

- Notes : (1) Out put of Machines depends upon the size and shape of products, packaging materials used and operating conditions.
(2) Accessories shown in the picture may not be part of standard equipment.
(3) We reserve the right to change the design of machines without notice.
(4) Subject to law of Illinois jurisdiction.